

Figure 1. This is an example of a good Figure.

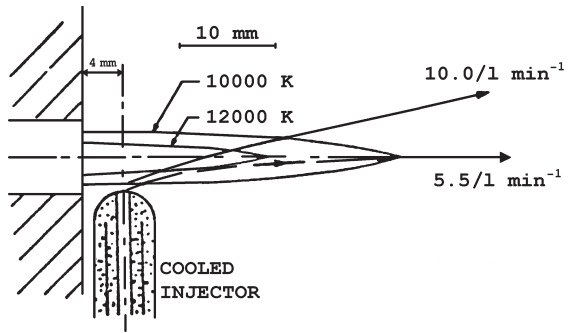
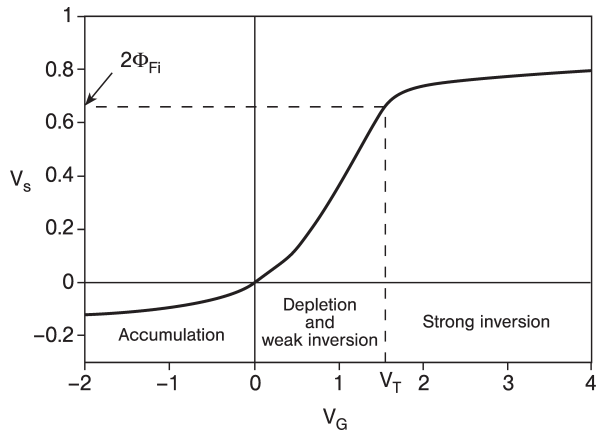


Figure 2. In this Figure the line thicknesses are too thick in relation to the font size.



**Figure 3.** An example of a good diagram, with a good relation between line thickness and font size.

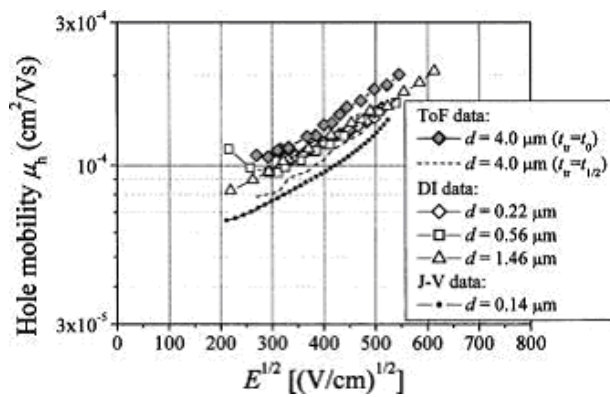
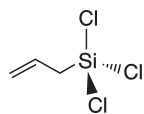
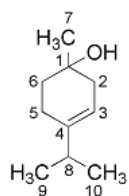


Figure 4. Here too much information is presented in a small area.

### Good examples



### Bad examples

